

BRENTWOOD

EPA WOOD BURNING FIREPLACES



Traditional
Fireplace
Design Collection

TRULY

TIMELESS

astria
FIREPLACES™





SHOW YOURSELF

Create a room that begs you to stick
around, *sit down and relax.*

IN

*FEATURED Brentwood shown with White Stacked Textured
Panels and Arch Pane Door*



FEATURED Brentwood shown with White Stacked Textured Panels and Arch Pane Door

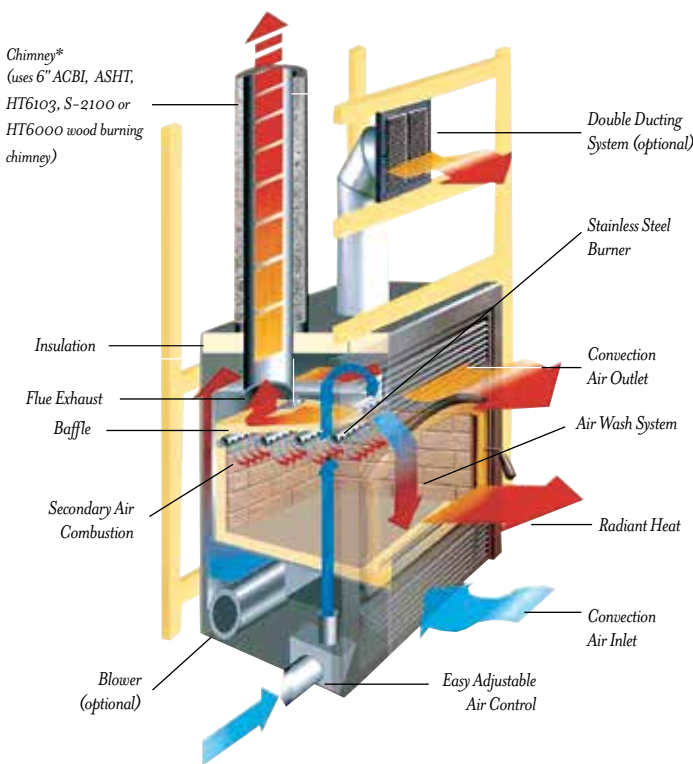
EXCLUSIVE FEATURES

- ◆ Circulating louvered design features ceramic glass for optimum heat transfer (optional clean-face kit available)
- ◆ EPA phase II certified and Washington State approved wood heater
- ◆ 2.0 cubic foot insulated firebox that accepts up to 19" log size for increased performance
- ◆ White stacked textured refractory panels with integrated ash lip and decorative cast iron log retainer
- ◆ Air combustion control for variable heat output with air boost for faster wood ignition during startup
- ◆ Includes insulated outside air kit (required for use)
- ◆ 86.6% thermal efficiency and heats up to 1,500 square feet*
- ◆ Efficient air wash system that keeps glass clean
- ◆ Cast Iron Door with heat resistant door handle that stays cool to the touch
- ◆ Optional heat activated 200 CFM UZY-5 variable speed blower for time-delayed heat distribution
- ◆ Dual ducted gravity kit (required when using clean-face kit) and/or thermostatically controlled forced air kit available (three maximum outlets)
- ◆ Durable high temperature paint finish
- ◆ Uses SCIL (ACBI) 6" air cooled wood burning chimney
- ◆ Uses SCIL (ASHT / HT6103 / S-2100 / HT6000) 6" insulated wood burning chimney
- ◆ Lifetime Limited Warranty

MULTI-ROOM HEATING OPTIONS

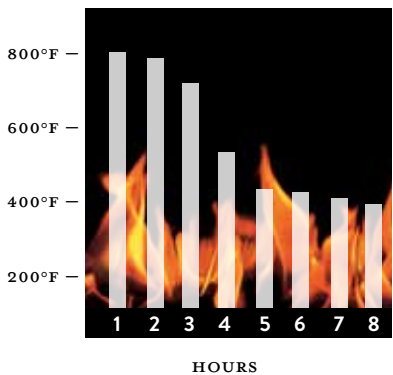
The Brentwood wood burning fireplace can be used to heat multiple rooms within your home with our gravity vent kit option. Through natural convection or with the aid of the heat-circulating fan, warm air can be directed up to 10 feet away into one or two adjacent rooms, giving you the flexibility to heat up to three areas. Heat the family room with the fireplace, and the dining room and upstairs bedroom with the gravity vent kit. You can also choose to more efficiently heat a large space by directing heat through multiple vents.

ENGINEERING FEATURES AND SPECIFICATIONS



*Air-cooled chimney not recommended for use at elevations above 4,000 feet or in climates where temperatures will fall below 32° Fahrenheit (0° Celsius).

BURN RATES*



*Results obtained by burning 25 lbs. of dry maple wood. (one hour pre-heating)

Options

INTERIOR (STANDARD)



White Stacked Textured Panels

DOORS (REQUIRED)



Arch Pane

OPTIONS/ACCESSORIES

Cast Iron Door (Required)

Clean-Face Kit

Rigid Fire Screen

Double Duct Gravity Kit (Required for Clean-Face Kit)

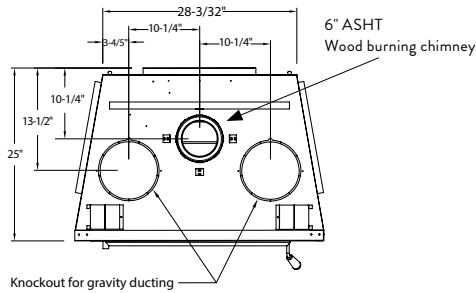
Forced Air Kit

Heat Activated Blower

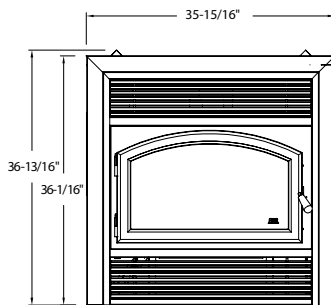
Variable Speed Switch for Blower

APPLIANCE SPECIFICATIONS

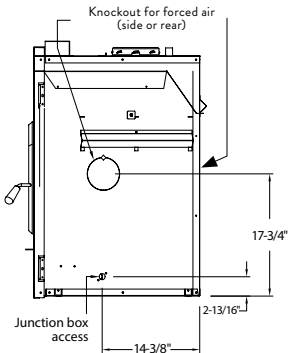
Top View



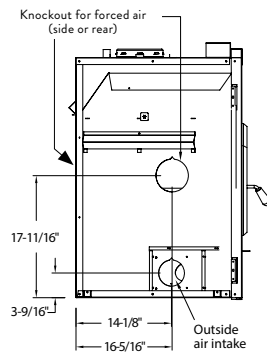
Front View



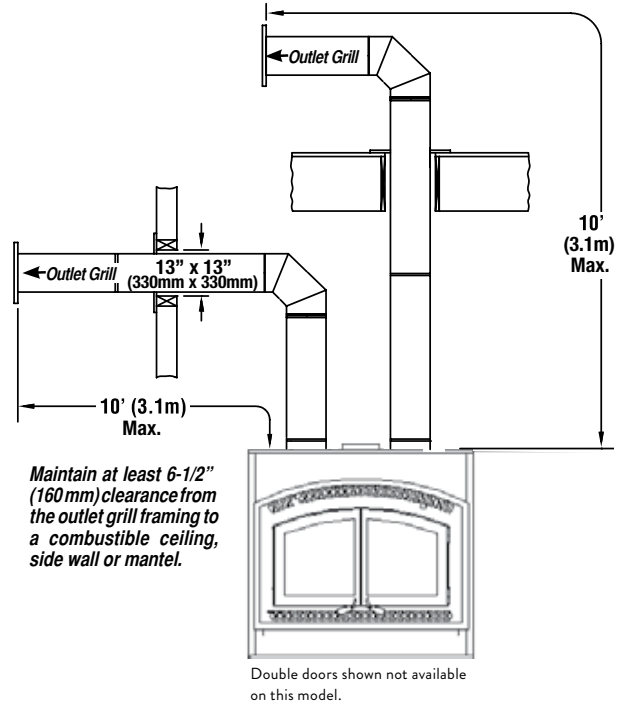
Right Side View



Left Side View



INSTALLATION SPECIFICATIONS



PRODUCT SPECIFICATIONS

Glass Viewing Area (W x H)	22-1/2" x 12-1/4"
Firebox Interior (W x H x D+)	22" x 11-3/4" x 12"
Interior Cubic Feet	2.0
Maximum Log Size	19"
Chimney Size	6"
EPA Rating	3.7 grams/hr
BTU's	55,000
Heating Capacity (up to)	1,500 sq. ft.
Thermal Efficiency	86.6%
Blower	200 CFM
Weight	278 lbs.

+Measured in front of door

IMPORTANT NOTES:

As with any fireplace, this appliance is extremely hot during operation. Read and understand all operating instructions before using this appliance. For further information, consult your dealer.

Local conditions, such as elevation, wind, vent configuration and choice of fuel will affect overall appearance of the fire and heating performance. Performance can also vary with home design and insulation, climate, condition and type of fuel used, appliance location, burn rate, accessories chosen, chimney installation and how the appliance is operated.

Diagrams, illustrations and photographs are not to scale—consult installation instructions. Product designs, materials, dimensions, specifications, colors and prices are subject to change or discontinuance without notice.

astria
FIREPLACES™

© 2014 Innovative Hearth Products
785368M 07/14

Visit us online



Astria.us.com

